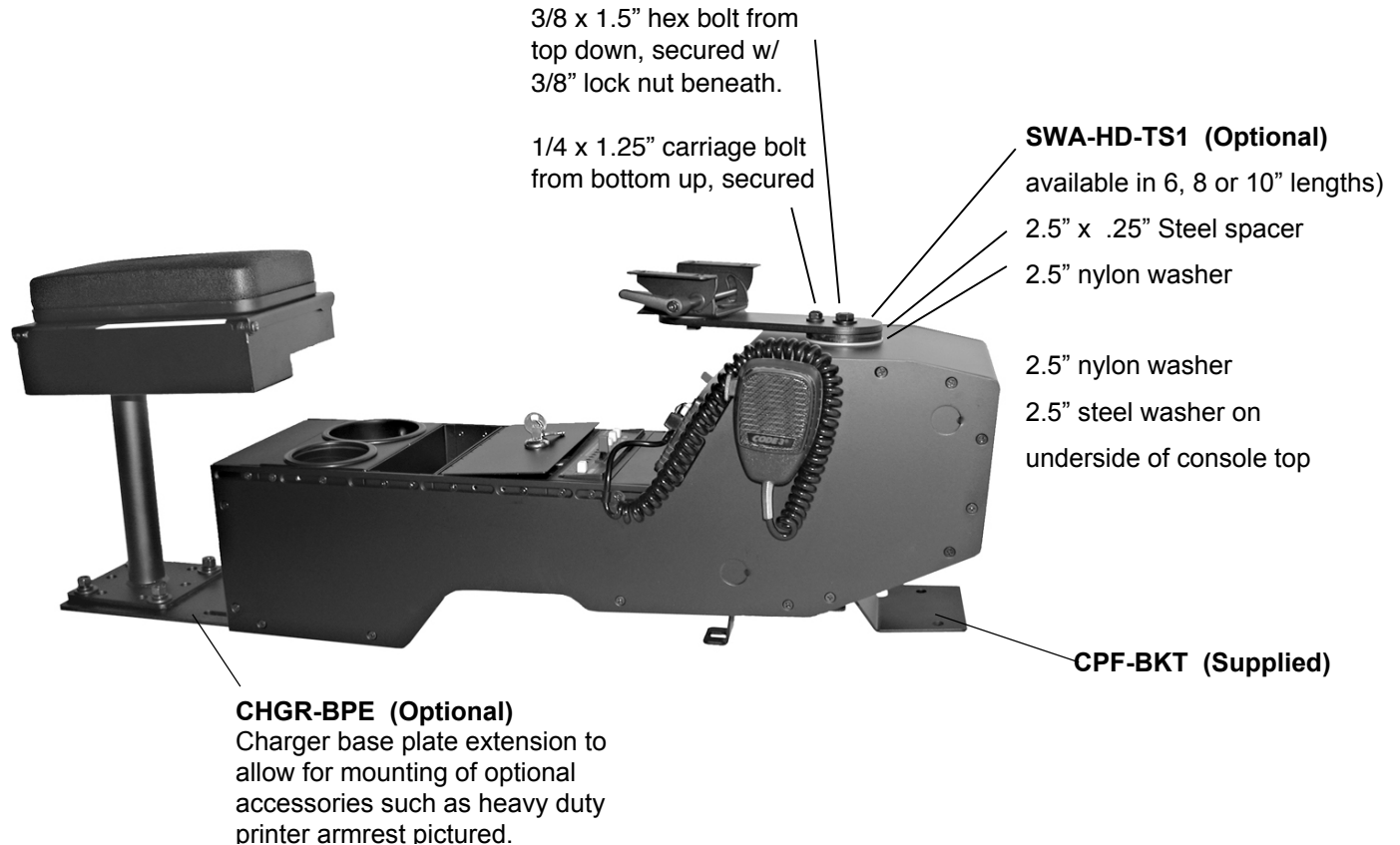




303 MESSNER DR. • WHEELING, IL • 60090
 847-459-1460 • FAX 847-459-1569
 WWW.LUND-INDUSTRIES.COM

VH-CHGR / VH-CHGR11 Console Mounting Instructions



1. Remove factory mounted console or base plate.
2. Install Lund front bracket using the (3) factory studs and nuts.
3. Mount the bottom front of the console to the front mounting bracket using (2) 3/8" carriage bolts , lock washers, flat washers and nuts supplied.
4. Attach rear of console using factory hardware & mounting holes.